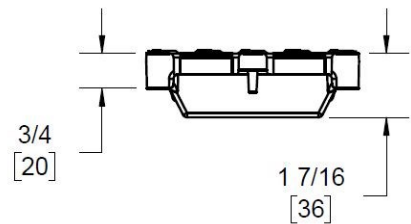
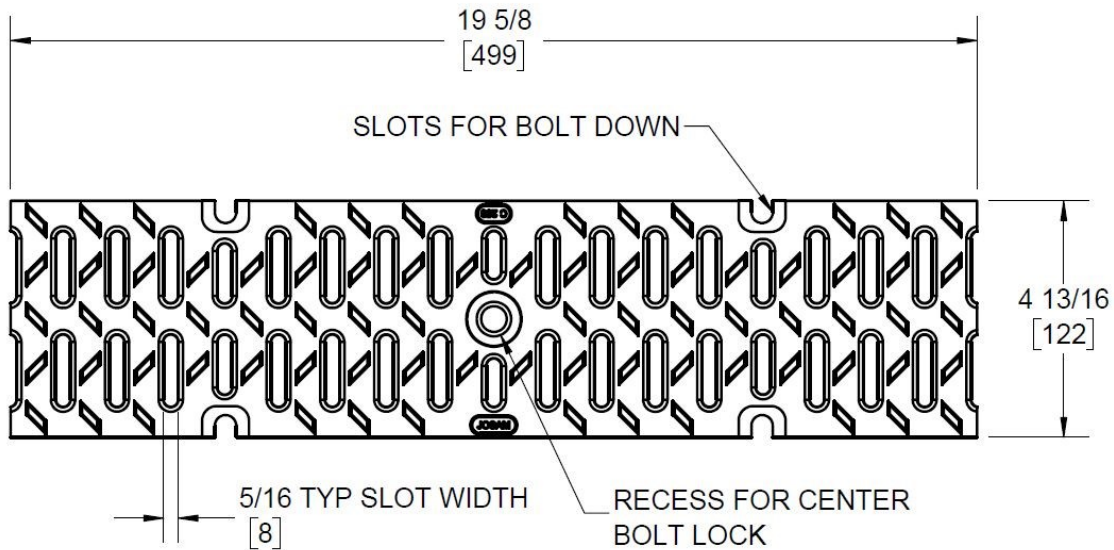


<p>Number</p> <p>100-GRP-C</p>	<p>Series</p> <p>CPS100</p> <p>C Class GRP Slotted Grate</p> <p>Pro Plus 100</p>
--	--



NOTE:
FREE AREA IS 15.1 SQ. IN.
PER 1/2 METER GRATE



LOCKING BAR (ORDER SEPERATELY)	360141
BOLT DOWN (ORDER SEPERATELY)	360143

Manufacturer



Specification

JOSAM 100-GRP-C SHEET MOLDED COMPOUND GLASS REINFORCED POLYESTER SLOTTED GRATE WITH CENTER HOLE FOR LOCKING BAR SECUREMENT OR BOLT DOWN LOCK. MEETS CLASS C LOADING REQUIREMENTS. ADA AND HEELPROOF SUPPLIED BY TRENCH DRAIN SUPPLY.

DISCLAIMER - The customer and the customer's architects, engineers, consultants, and other professionals are completely responsible for the selection installation and maintenance of any product purchased from Trench Drain Supply and/or its manufacturers. TRENCH DRAIN SUPPLY MAKES NO WARRANTY, EXPRESS OR IMPLIED, AS TO THE SUITABILITY, DESIGN, MERCHANTABILITY, OR FITNESS OF THE PRODUCT FOR CUSTOMERS APPLICATION. The drawing and information provided remain the property and copyright of the manufacturer listed. The manufacturer reserves the right to modify specification without notice.